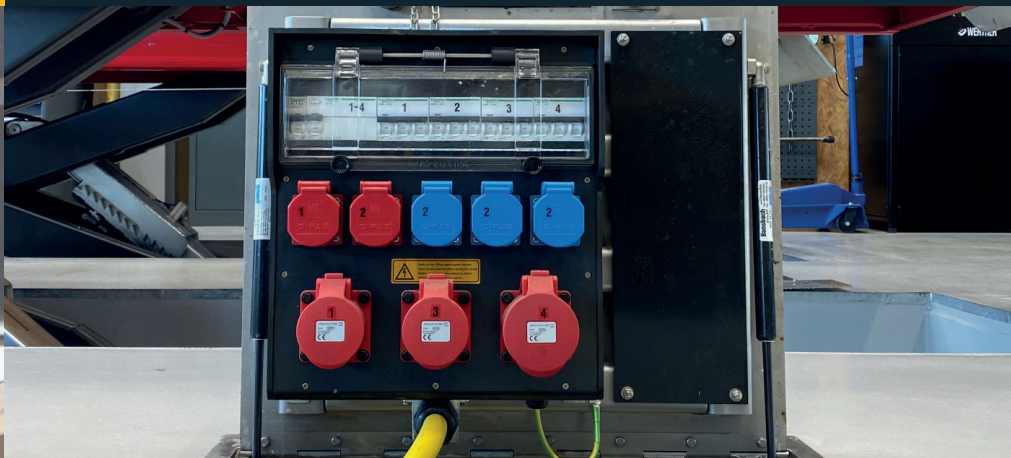


SYSTEMATIC QUALITY

# Power distribution boxes



Catalogue



**General**  
**Technical notes**  
**Suspended distributor**

Pages 3-5

General



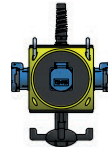
Page 3

Technical notes



Page 4

Suspended distributor



Page 5

Suspended distributor, with compressed air



Page 5

**Switchgear combination**

**Small hard rubber distribution boxes**

Pages 6-9

Type 7400



Page 6

Type 1400/1600



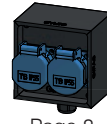
Page 7

Type 2612



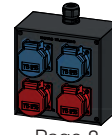
Page 7

Type 2700



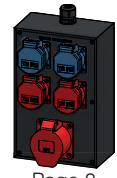
Page 8

Type 1616



Page 8

Type 2516



Page 8

**Wall-mounted hard rubber distribution boxes**

Pages 10-17

Type 7200/7250



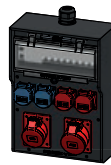
Page 10

Type 7300



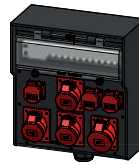
Pages 11-12

Type 7400



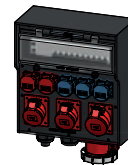
Pages 13-14

Type 7700



Pages 15-16

Type 7700



Page 17

**Hard rubber installation distribution boxes**

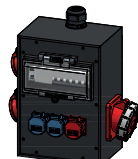
Pages 18-21

Type 3800



Page 18

Type 3900



Page 19

Type 7800



Page 20

Type 7900



Page 21

**Hard rubber distribution boxes for road maintenance**

**Accessories**

**Applications**

Pages 22-27

Distribution boxes for road maintenance



Page 22

Accessories



Pages 23-26

Applications



Page 27

## Introduction

Thanks to our power distributors electrical power is available everywhere and without complicated installations. As with all products we give great importance to high quality components and workmanship. GIFAS hard rubber distributor boxes provide excellent technical characteristics.

**Whether installed in- or outdoors: we provide customized solutions that will not disappoint you!**

## Our services

- competent and individual consultation
- standard products available from stock
- customizing of products
- technical drawings
- production of small and large series
- lifelong availability of spareparts

## Benefits of our system

- robust, impact resistant hard rubber housing
- customisable according to your needs
- broad range of housings
- for outdoor use, industry, events etc.
- housings can be engraved
- broad range of accessories
- standard products available from stock

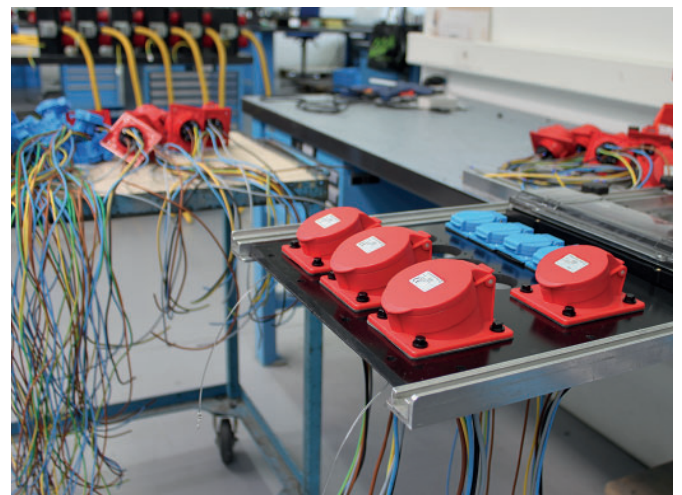
---

Type 2812/3020



Page 9

---





### The solid rubber material used in GIFAS production sites

GIFAS uses a synthetic polymer SBR india rubber as the base material. From the raw material in granular or strip form, the final shape of the workpiece is vulcanised under high pressure and at high temperature on our own machines. The vulcanisation process that occurs in the process changes the india rubber to rubber and after this stage remains elastic and stable in form, is not readily soluble and has very good thermal properties. This vulcanisation process requires considerable time and effort. Only the outstanding properties of the product justify the amount of work involved.

### Properties

Rubber has an open, cross-linked structure and does not exhibit any flow crossover, even at high temperatures. Vulcanised materials with isoprene in a cross-linked form are considerably more heat-stable than standard EDPM products. The material used by GIFAS remains elastic at a temperature of up to  $>-30$  degrees Celsius. The rubber products manufactured by GIFAS are in general resistant to the acids and alkalis used in industry.

### Safety through tested quality

Rubber is used as the basic material for blanks for power distribution systems, cable reels and plugs and sockets at our production facilities. The assembled end products are extremely robust, durable and low-maintenance - ideal for trade and industry. GIFAS tests all electrically operated products for functionality and safety after completion. The results are documented and enclosed with the product as a test report - verifiable and customer-focused. Our demand - 100% reliable quality.

## Installation notes for your electrical planning



### Electrical properties

The data given here represents the minimum values. They may vary from the minimum values depending on the environment (air humidity, temperature, chemical influences, etc.).

- electric strength 2600V/mm
- forward resistance 7 Mega Ohm/mm
- surface resistance 6 Mega Ohm
- creep resistance  $> KB 175$

### Mechanical data

The mechanical values are based on mean values for a hard rubber plate. Depending on the casing type, the shape means that higher mechanical demands can be made.

- shore A hardness  $95 \pm 3$
- tensile strength 6 Mpa
- ductile yield 170 +10%
- impact resilience 19%
- specific weight 1.48 kp/dm<sup>3</sup>

### Thermal data

The data given are mean values for various test samples.

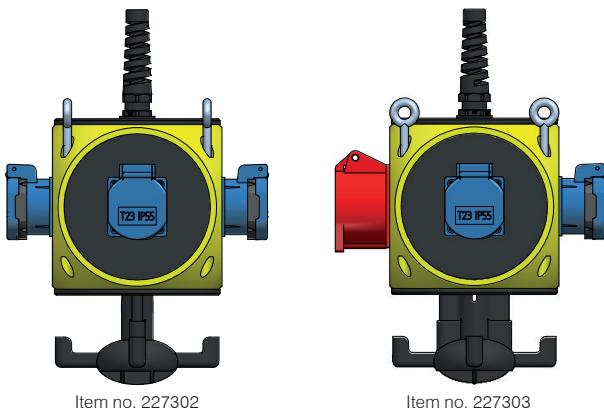
- temperature resistance
- ozone strength
- UV resistance

### Other features

- halogen-free
- self-extinguishing
- resistance to chemicals
- temperature conductance (condensate formation)
- resistance to aging
- non-odorous
- long service life

Properties	Hard rubber	Plastic	Metal
Insulation	protection class II	protection class II	protection class I
Temperature resistance	to $-30^{\circ}C$	to $-20^{\circ}C$	to $-30^{\circ}C$
Wall thickness	without condensed water	condensed water	condensed water
Impact protection rating	impact-resistant	relatively impact-resistant	relatively impact-resistant
UV/ozone	weather-resistant	relatively weather-resistant	relatively weather-resistant
Corrosion	corrosion-free	corrosion-free	relatively corrosion-free
Resistance to vibration, shock and shaking	high	low	relatively
Self-extinguishing	yes	partly	-
Silicone-free, halogen-free	yes	partly	yes

## Suspended distributor, plastic

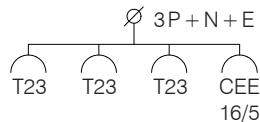
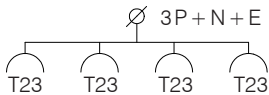


Item no. 227302

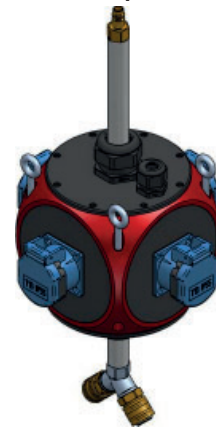
Item no. 227303

Max. pre-fuse 16A  
(230/400V)

Max. pre-fuse 16A  
(400V)

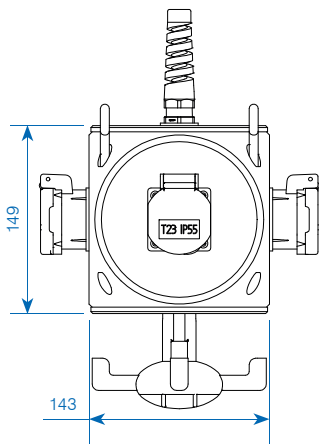
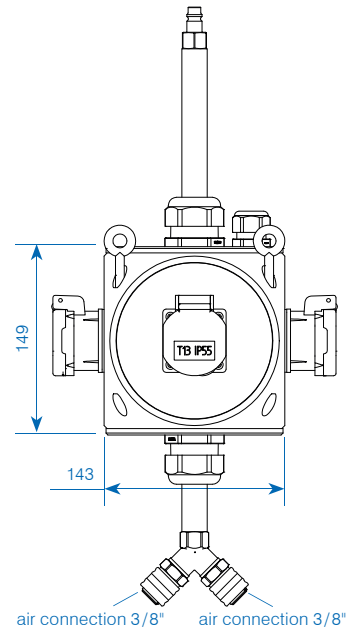
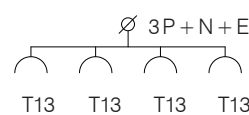


## Suspended distributor, plastic with compressed air



Item no. 227304

Max. pre-fuse 13A  
(230/400V)



### Technical Data

Protection class: IP44 (splashproof)  
 Housing: Shock-resistant polyamide plastic distributor  
 Dimension: 143×149×220 mm  
 Rated current: max. 32A 5P 400V

### Features

- compact design: modular concept, allows for a multitude of variants and forms
- can be used as a suspended or portable distributor
- max. 6 mounting surfaces
- combination possibilities: 16A 3P to 32A 5P CEE sockets, with a variety of other sockets, fused or non-fused, with integrated air supply etc.
- inputs: Cable glands and wiring at the connecting terminals on the cover plate (also for several power circuits), CEE device plug, device lines

Item no.	Symbol output	Output	Input	MCB/RCD	Designation
✓ 227302		4×T23 excl. suspension kit	1×M20	max. pre-fuse 16A	yellow housing
227303		3×T23 1×CEE 16/5 excl. suspension kit	1×M20	max. pre-fuse 16A	yellow housing
✓ 227304		4×T13 2×compressed air 3/8" excl. suspension kit	1×M20 1×compressed air 3/8"	max. pre-fuse 13A	red housing
✓ 043014	Link chain V4A, rust-free, Ø3/26 mm				
✓ 043015	Link chain V4A, rust-free, with screw connection L = 32 mm (inner), Ø4 mm				
✓ 167265	Suspension kit steel zinc-plated (L=300mm)				

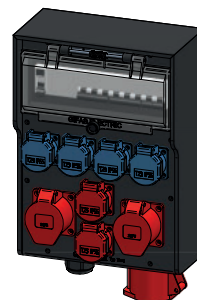
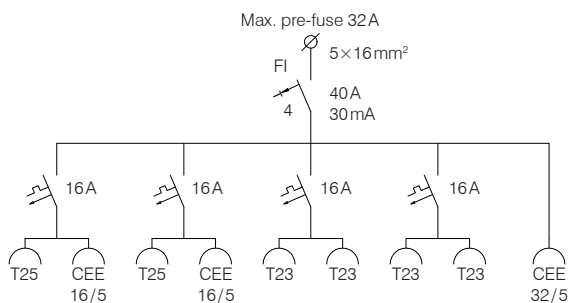
✓ From stock, offer subject to prior sale

## Features

Thanks to our power distributors electrical power is available everywhere and without complicated installations. As with all products we give great importance to high quality components and workmanship. GIFAS hard rubber distributor boxes provide excellent technical characteristics.

## Technical features

Hard rubber:  
fully insulated, impact resistant, UV resistant, halogen-free, aging and temperature resistance, oil-and acid-resistant, fire resistant, self extinguishing, good chemical resistance.



Item no.	Designation
✓ 228700	Hard rubber distributor type 7400, black, IP44



Migros, Buchs



Emergency exit



Jungfrauojoch



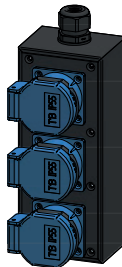
HUPAC, Basel

# Small hard rubber distribution box

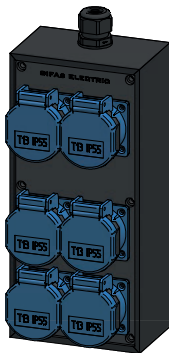
## Type 1400 / Type 1600 / Type 2612



Item no. 228702



Item no. 228706



Item no. 228709

Item no.	Symbol output	Output	Input	Line protection / Personal protection
----------	---------------	--------	-------	---------------------------------------

### Type 1400 – 290×78×65 mm (91), IP55

✓ 228701		2×T13	1×SCG M20 <b>bottom</b> 1×SCG M20 blind	Pre-fuse max. 13A 1×RCCB 1N-25A/30mA
✓ 228702		2×T13	1×SCG M20 <b>top</b>	Pre-fuse max. 13A 1×RCCB 1N-16A/10mA
✓ 228703		4×T13	1×SCG M20 <b>right</b>	Pre-fuse max. 13A
✓ 228704		2×T23 2×T25	1×SCG M20 <b>right</b>	Pre-fuse max. 16A
228705		3×T13 1×T15	1×SCG M20 <b>right</b>	Pre-fuse max. 13A

### Type 1600 – 200×82×64 mm, IP55

✓ 228706		3×T13	1×SCG M20 <b>right</b>	Pre-fuse max. 13A
✓ 228707		3×T23	1×SCG M20 <b>left</b>	Pre-fuse max. 16A
✓ 228708		1×T23 2×T25	1×SCG M20 <b>right</b>	Pre-fuse max. 16A

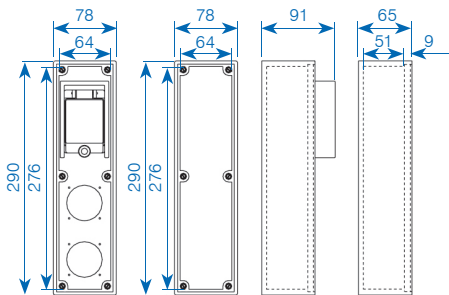
### Type 2612 – 260×120×75 mm, IP55

✓ 228709		6×T13	1×SCG M20 <b>top</b>	Pre-fuse max. 13A
✓ 228710		6×T25	1×SCG M20 <b>top</b>	Pre-fuse max. 16A

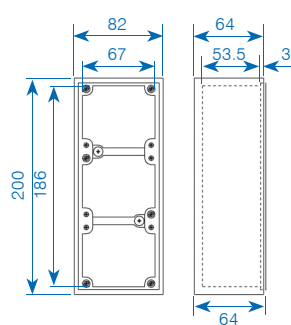
### Type 2612 – 260×120×75 mm, IP44

✓ 228711		2×T23 1×T25 1×CEE 16/5	1×SCG M20 <b>top</b>	Pre-fuse max. 16A
✓ 228712		2×T25 1×CEE 16/5	1×SCG M20 <b>top</b>	Pre-fuse max. 16A

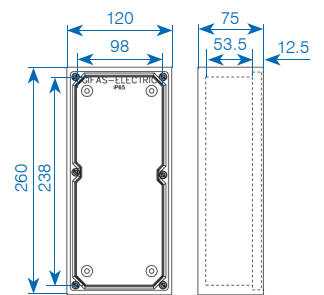
Type 1400



Type 1600

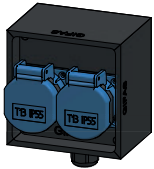


Type 2612



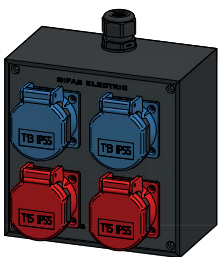
Other fitting options on request.  
✓ From stock, offer subject to prior sale

## Type 2700 / Type 1616 / Type 2516



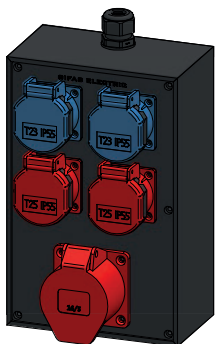
Item no. 228731

Item no.	Symbol output	Output	Input	Line protection / Personal protection
<b>Type 2700 – 111×111×79 mm, IP55</b>				
✓ 228731		2×T13	1×SCG M20 <b>bottom</b>	Pre-fuse max. 13A
234826		2×T23	1×SCG M20 <b>top</b>	Pre-fuse max. 16A
✓ 228733		2×T25	1×SCG M20 <b>top</b>	Pre-fuse max. 16A



Item no. 228735/228736

<b>Type 1616 – 160×160×90 mm, IP55</b>				
✓ 228734		4×T13	1×SCG M20 <b>top</b>	Pre-fuse max. 13A
✓ 228735		2×T13 2×T15	1×SCG M20 <b>top</b>	Pre-fuse max. 13A
✓ 228736		2×T23 2×T25	1×SCG M20 <b>top</b>	Pre-fuse max. 16A



Item no. 228739

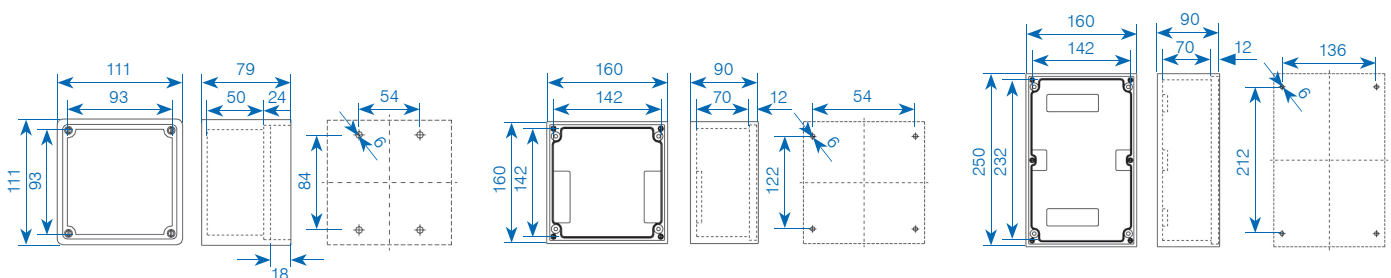
<b>Type 2516 – 250×160×90 mm, IP44</b>				
✓ 228737		3×T23 1×T25 1×CEE 16/5	1×SCG M20 <b>top</b>	Pre-fuse max. 16A
✓ 228738		2×T23 2×CEE 16/5	1×SCG M20 <b>top</b>	Pre-fuse max. 16A
✓ 228739		2×T23 2×T25 1×CEE 16/5	1×SCG M20 <b>top</b>	Pre-fuse max. 16A

SCG = screwed cable gland

Type 2700

Type 1616

Type 2516

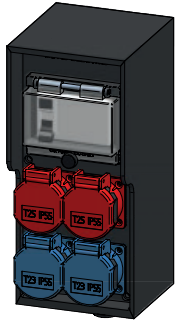


Other fitting options on request.  
 ✓ From stock, offer subject to prior sale

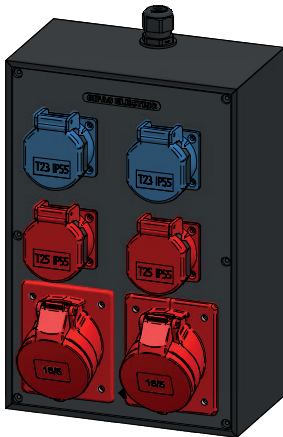


# Small hard rubber distribution box

## Type 2812 / Type 3020



Item no. 228740

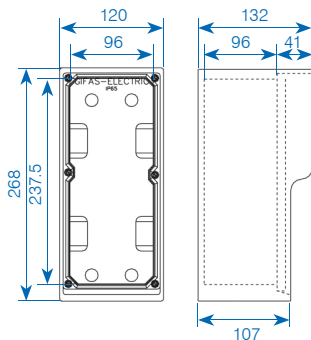


Item no. 228744

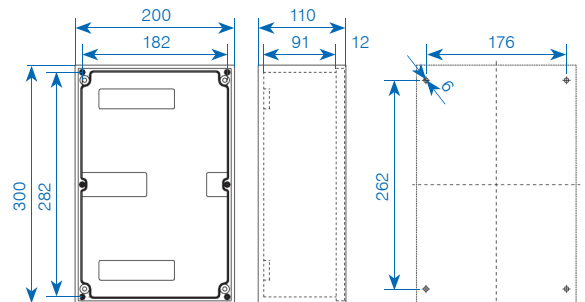
Item no.	Symbol output	Output	Input	Line protection / Personal protection
<b>Type 2812 – 268×120×132 mm, IP55</b>				
✓ 228740		2×T23 2×T25	1×SCG M20 <b>bottom</b>	Pre-fuse max. 16 A 1×RCCB 3N - 40A/30mA
✓ 228741		2×T23 2×T25	1×SCG M20 <b>top</b>	Pre-fuse max. 16 A 1×RCCB 3N - 40A/30mA
<b>Type 2812 – 268×120×132 mm, IP44</b>				
✓ 228742		1×T23 1×CEE 16/5	1×SCG M20 <b>top</b>	Pre-fuse max. 16 A 1×RCCB 3N - 40A/30mA
✓ 228743		1×T25 1×CEE 16/5	1×SCG M20 <b>top</b>	Pre-fuse max. 16 A 1×RCCB 3N - 40A/30mA
✓ 033433		1×CEE 32/5	1×SCG M32 <b>top</b>	Pre-fuse max. 32 A 1×RCCB 3N - 40A/30mA
<b>Type 3020 – 300×200×110 mm, IP44</b>				
✓ 228744		2×T23 2×T25 2×CEE 16/5	1×SCG M20 <b>top</b>	Pre-fuse max. 16 A
057025		1×CEE 32/5	1×SCG M32 <b>top</b>	Pre-fuse max. 32 A 1×RCCB 3N - 40A/30mA
<b>Type 3020 – 300×200×110 mm, IP55</b>				
033434		1×CEE 63/5	1×SCG M40 <b>top</b>	Pre-fuse max. 63 A 1×RCCB 3N - 63A/30mA

SCG = screwed cable gland / RCCB = residual current circuit-breakers

Type 2812

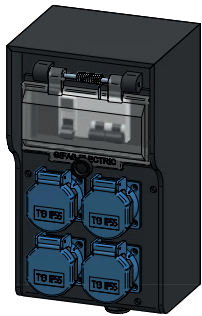


Type 3020

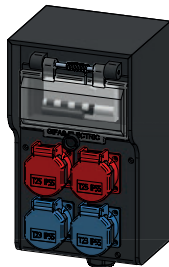


Other fitting options on request.  
✓ From stock, offer subject to prior sale

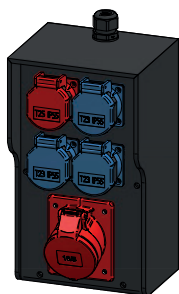
## Type 7200 / Type 7250



Item no. 228767



Item no. 228773



Item no. 228774

Item no.	Symbol output	Output	Input	Line protection / Personal protection
----------	---------------	--------	-------	---------------------------------------

### Type 7200 – 280×160×132 mm, IP55

✓ 228767		4×T13	1×SCG M20 <b>bottom</b>	2×1- 13A «C» 1×RCCB 1N- 25A/30mA
228768		3×T13 1×T15	1×SCG M25 <b>bottom</b>	1×3- 13A «C» 1×RCCB 3N- 40A/30mA
✓ 228769		2×T13 2×T15	1×SCG M25 <b>top</b>	1×3- 13A «C» 1×RCCB 3N- 40A/30mA
✓ 228770		2×T13 2×T15	1×SCG M25 <b>bottom</b>	1×3- 13A «C» 1×RCCB 3N- 40A/30mA
228771		4×T23	1×SCG M20 <b>bottom</b>	2×1- 16A «C» 1×RCCB 1N- 25A/30mA
✓ 228772		2×T23 2×T25	1×SCG M25 <b>top</b>	1×3- 16A «C» 1×RCCB 3N- 25A/30mA
✓ 228773		2×T23 2×T25	1×SCG M25 <b>bottom</b>	1×3- 16A «C» 1×RCCB 3N- 25A/30mA

### Type 7200 – 280×160×132 mm, IP44

040099		1×CEE 32/5	1×SCG M32 <b>top</b>	1×3- 32A «C» 1×RCCB 3N- 40A/30mA
--------	--	------------	-------------------------	-------------------------------------

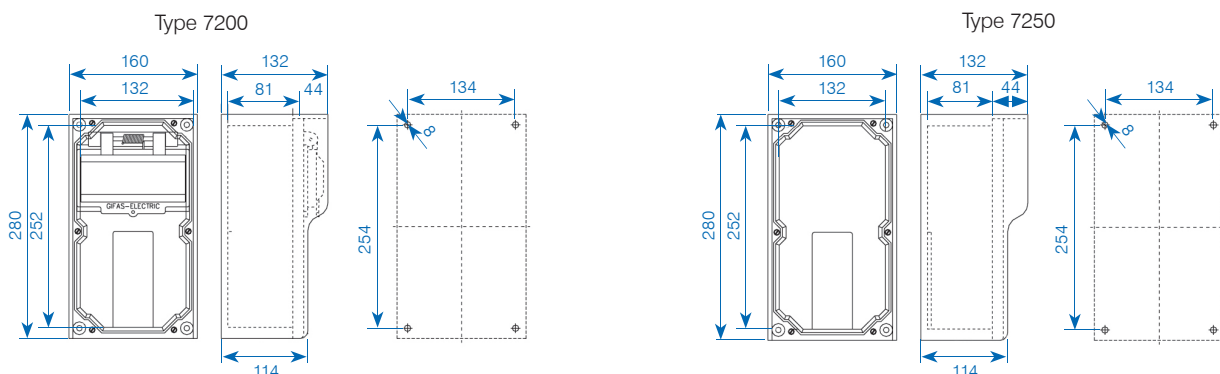
### Type 7250 – 280×160×132 mm, IP55

228775		3×T13 1×T15	1×SCG M20 <b>bottom</b>	Pre-fuse max. 13A
--------	--	----------------	----------------------------	----------------------

### Type 7250 – 280×160×132 mm, IP44

✓ 228774		3×T23 1×T25 1×CEE 16/5	1×SCG M20 <b>top</b>	Pre-fuse max. 16A
✓ 228776		2×T23 2×T25 1×CEE 16/5	1×SCG M20 <b>bottom</b>	Pre-fuse max. 16A
✓ 228777		2×T23 2×CEE 16/5	1×SCG M20 <b>bottom</b>	Pre-fuse max. 16A

SCG = screwed cable gland / LP = line protection / RCCB = residual current circuit-breakers

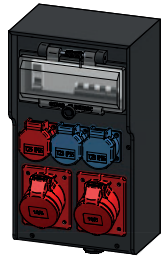


Other fitting options on request.

For accessories such as supports, protective caps, RCD, etc. see page 23-26.

✓ Disponibile in stock, salvo venduto

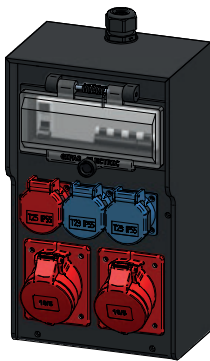
# Wall-mounted hard rubber distribution box 7300



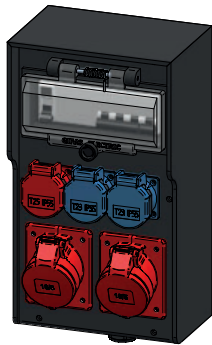
The types shown are examples only.  
We would be delighted to create a solution according to your specific assembly requirements.

## Type 7300 – (350×200×133 mm), IP44

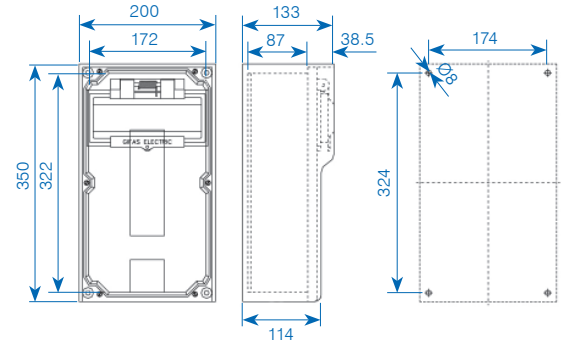
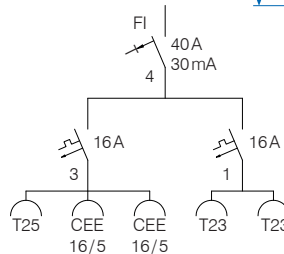
Screwed cable gland M25 (other dimensions and positions on request)



✓ Item no. 228778

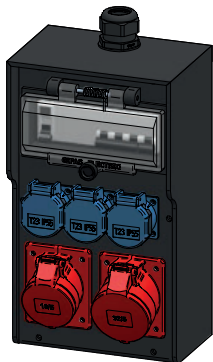


✓ Item no. 228779

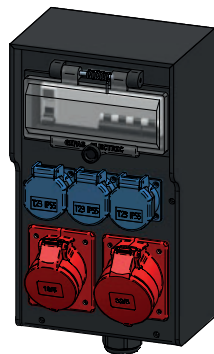


## Type 7300 – (350×200×133 mm), IP44

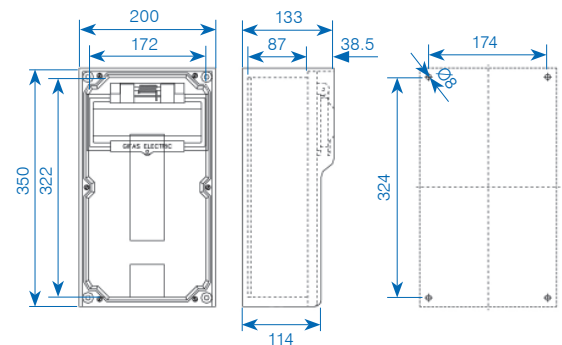
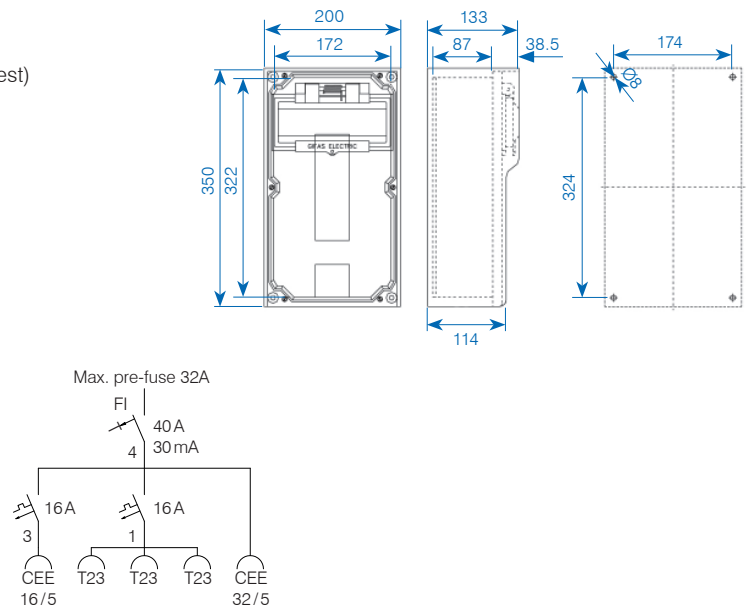
Screwed cable gland M32 (other dimensions and positions on request)



✓ Item no. 228780

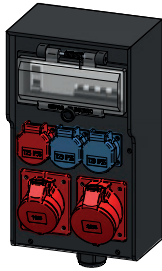


✓ Item no. 228781



✓ From stock, offer subject to prior sale

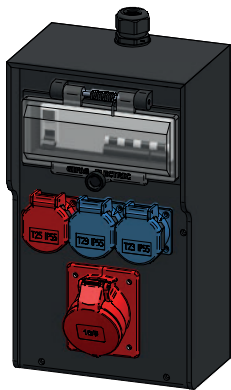
# Wall-mounted hard rubber distribution box 7300



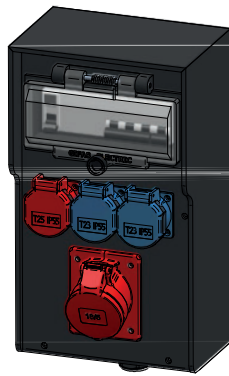
The types shown are examples only.  
We would be delighted to create a solution according to your specific assembly requirements.

## Type 7300 – (350×200×133 mm), IP44

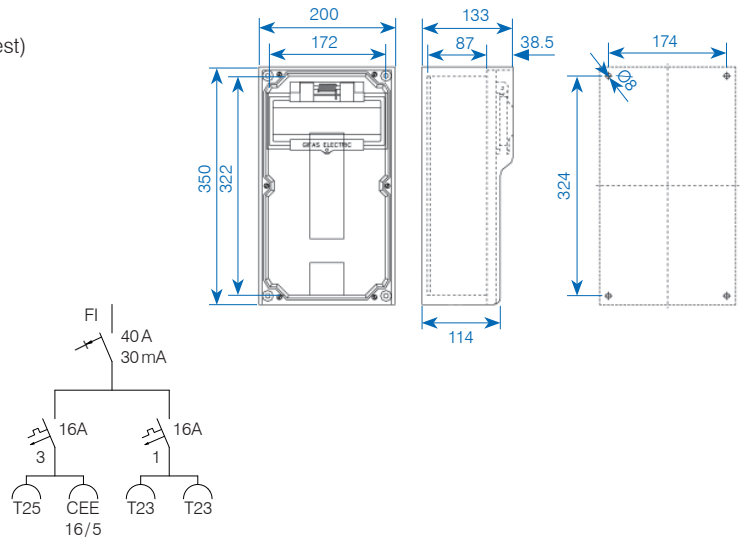
Screwed cable gland M25 (other dimensions and positions on request)



✓ Item no. 228782

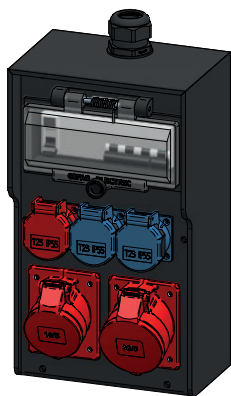


✓ Item no. 228783

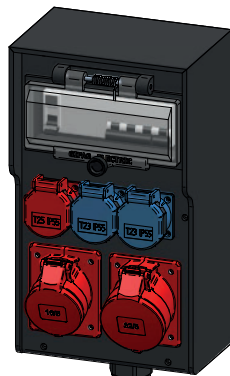


## Type 7300 – (350×200×133 mm), IP44

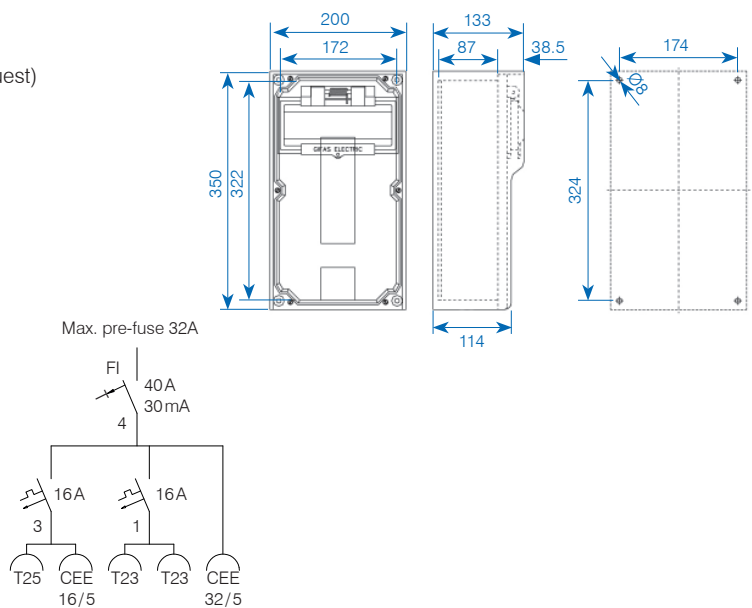
Screwed cable gland M32 (other dimensions and positions on request)



✓ Item no. 228784

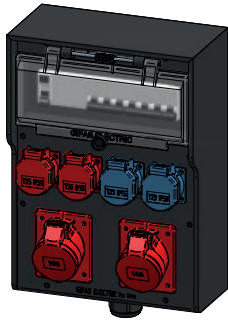


✓ Item no. 228785



✓ From stock, offer subject to prior sale

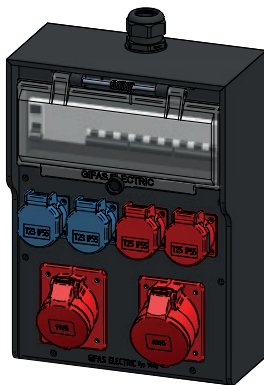
# Wall-mounted hard rubber distribution box 7400



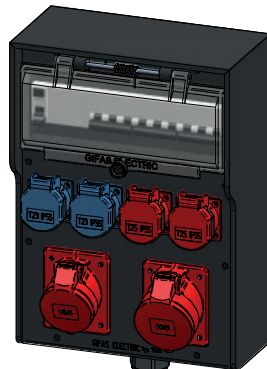
The types shown are examples only.  
We would be delighted to create a solution according to your specific assembly requirements.

## Type 7400 – (370×266×133 mm), IP44

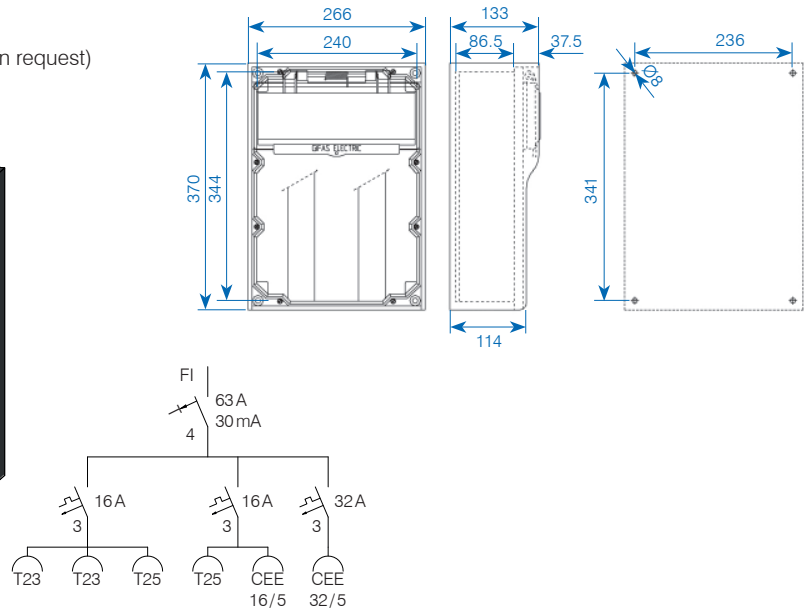
Screwed cable gland M32 (other dimensions and positions on request)



✓ Item no. 228403

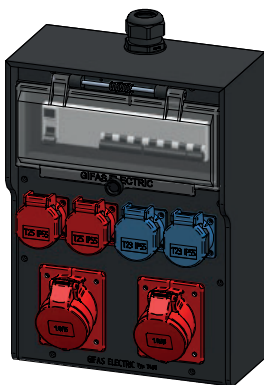


✓ Item no. 228404

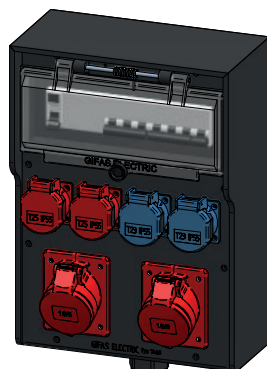


## Type 7400 – (370×266×133 mm), IP44

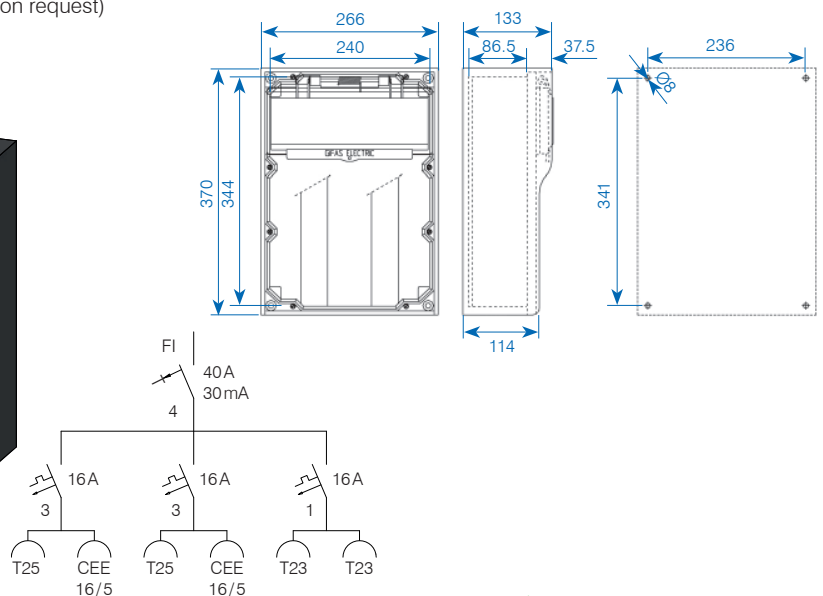
Screwed cable gland M32 (other dimensions and positions on request)



✓ Item no. 228345



✓ Item no. 228346

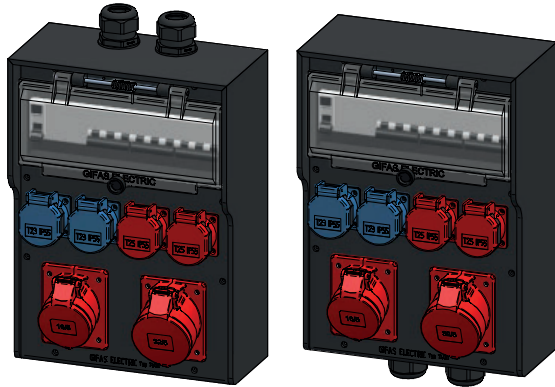


✓ From stock, offer subject to prior sale

# Wall-mounted hard rubber distribution box 7400

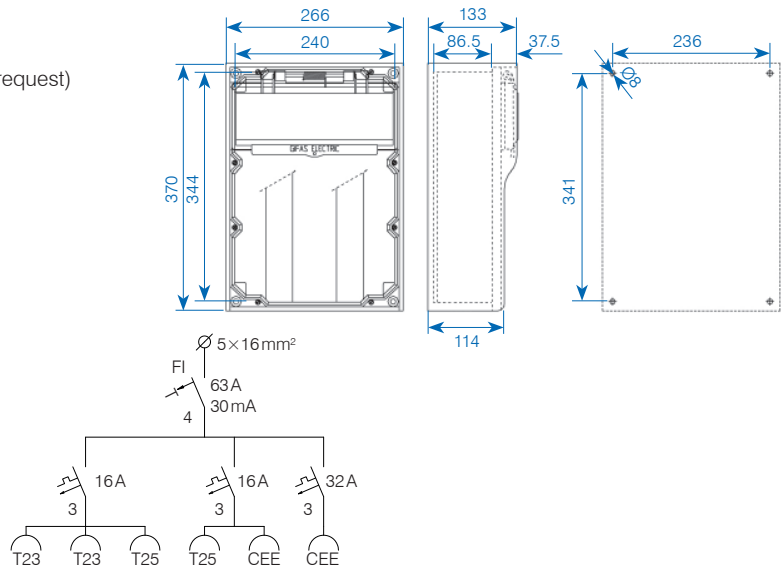
## Type 7400 – (370×266×133mm), IP44

Screwed cable gland M32 (other dimensions and positions on request)



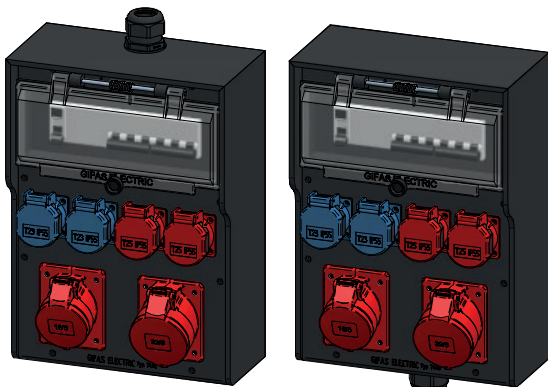
✓ Item no. 228347

✓ Item no. 228348



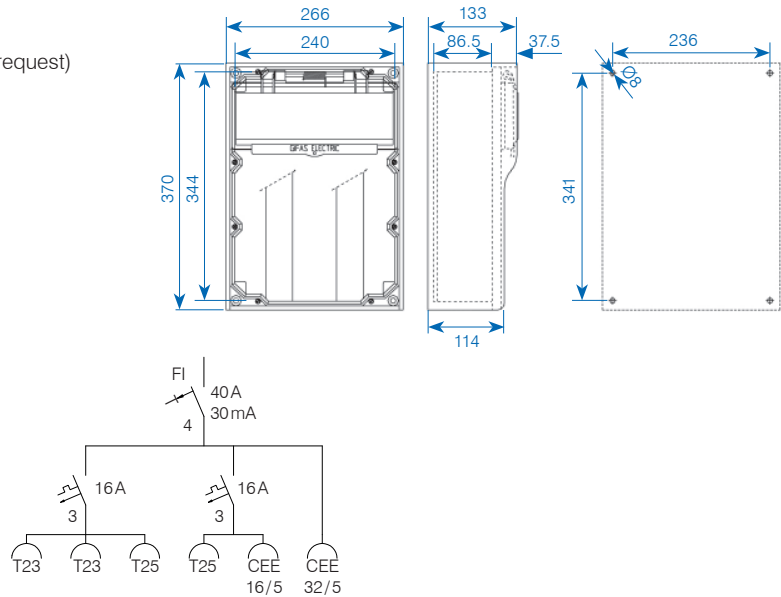
## Type 7400 – (370×266×133mm), IP44

Screwed cable gland M32 (other dimensions and positions on request)



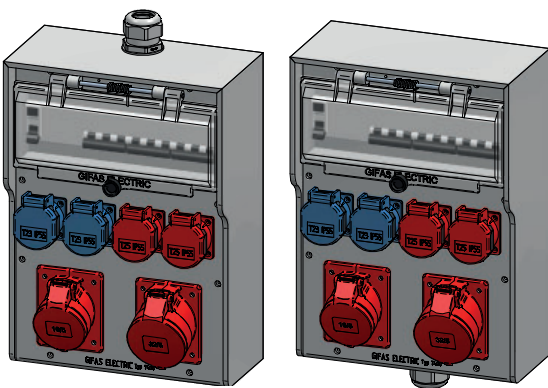
✓ Item no. 228402

✓ Item no. 228350



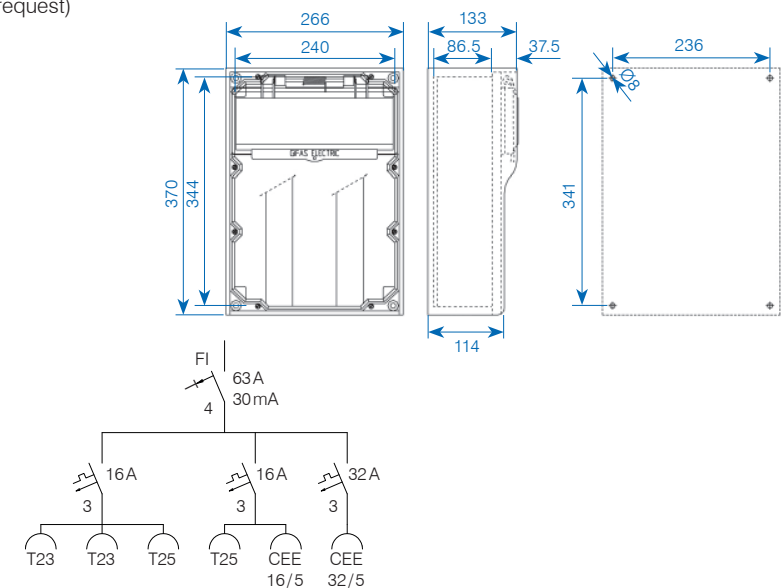
## Type 7400 – (370×266×133mm), IP44

Screwed cable gland M32 (other dimensions and positions on request)



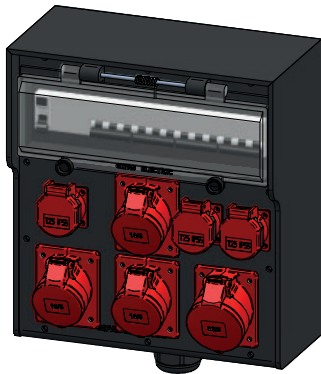
✓ Item no. 228351

✓ Item no. 228352



✓ From stock, offer subject to prior sale

# Wall-mounted hard rubber distribution box 7700

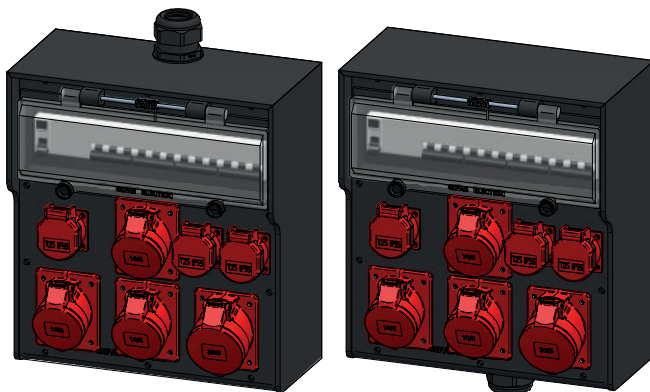


The types shown are examples only.  
We would be delighted to create a solution according to your specific assembly requirements.



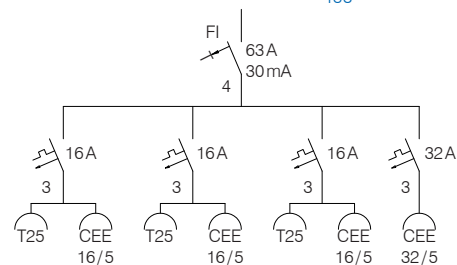
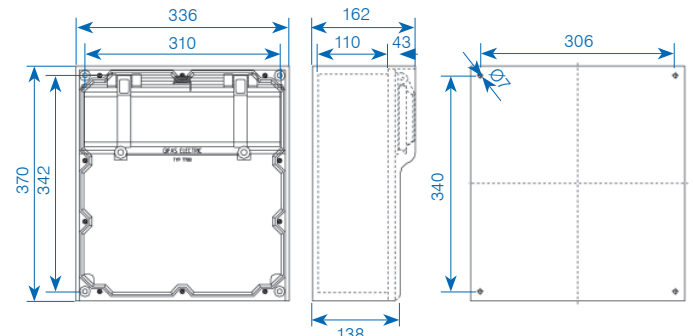
## Type 7700 – (370×336×162mm), IP44

Screwed cable gland M40 (other dimensions and positions on request)



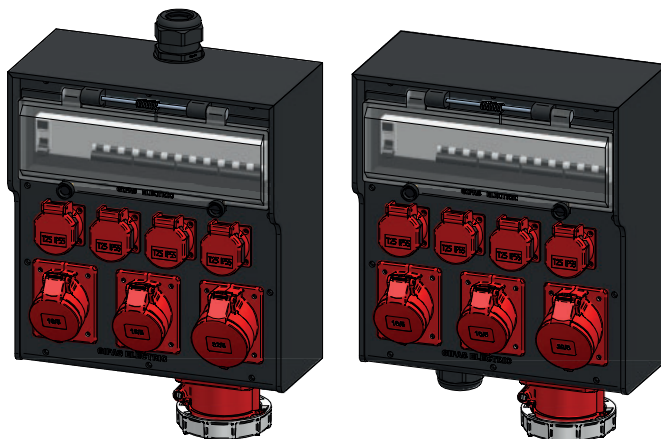
✓ Item no. 228671

✓ Item no. 228673



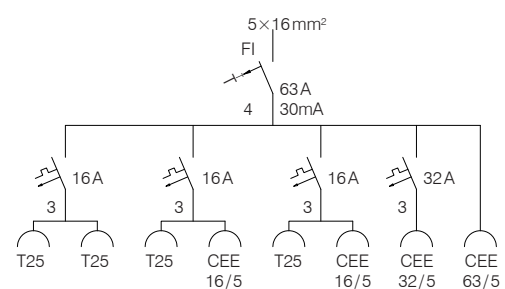
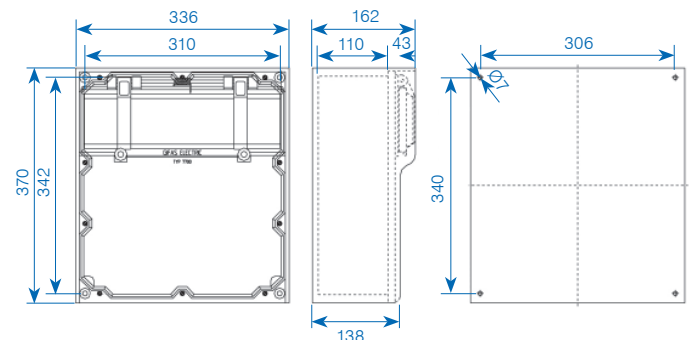
## Type 7700 – (370×336×162mm), IP44

Screwed cable gland M40 (other dimensions and positions on request)



✓ Item no. 228406

✓ Item no. 228674

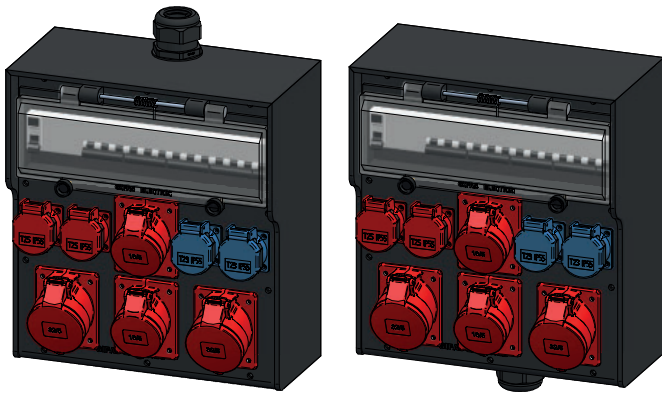


✓ From stock, offer subject to prior sale

# Wall-mounted hard rubber distribution box 7700

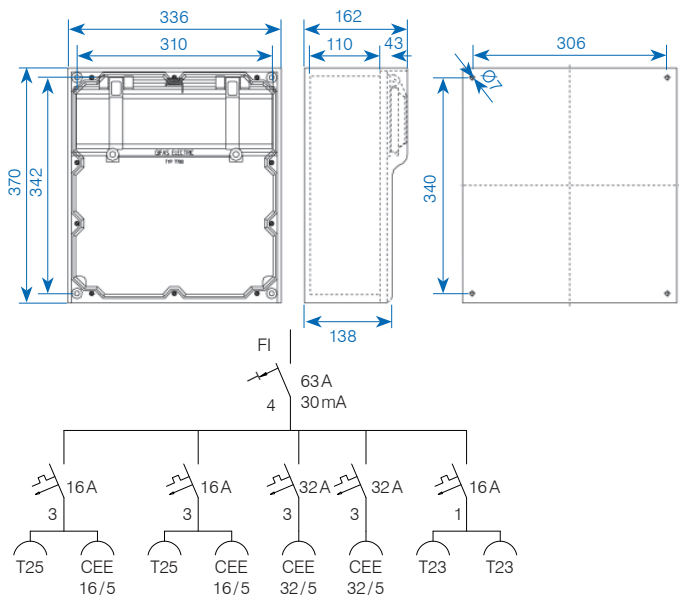
## Type 7700 – (370×336×162 mm), IP44

Screwed cable gland M40 (other dimensions and positions on request)



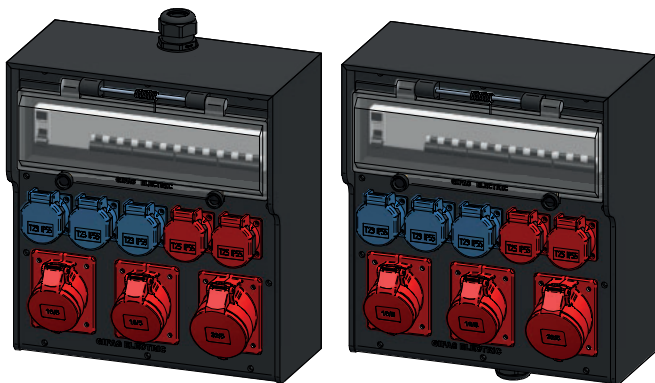
✓ Item no. 228792

✓ Item no. 228793



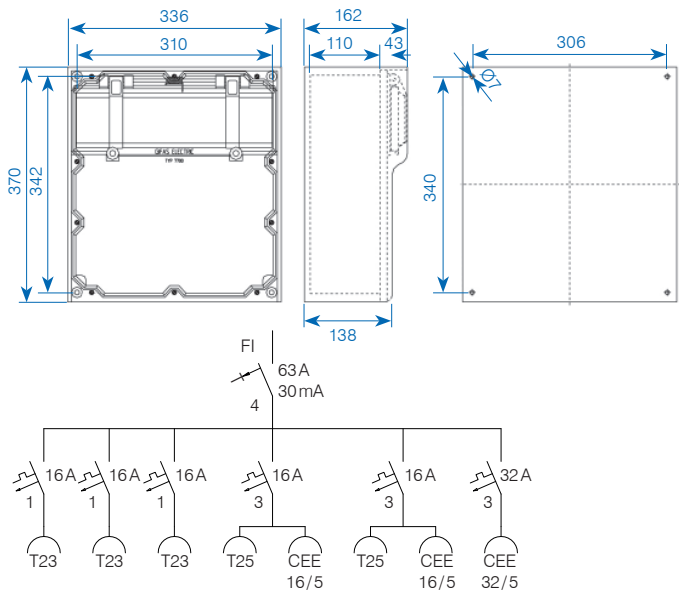
## Type 7700 – (370×336×162 mm), IP44

Screwed cable gland M32 (other dimensions and positions on request)



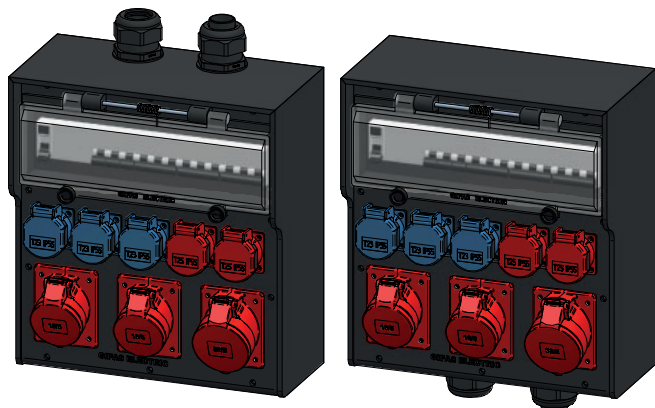
✓ Item no. 228794

✓ Item no. 228795



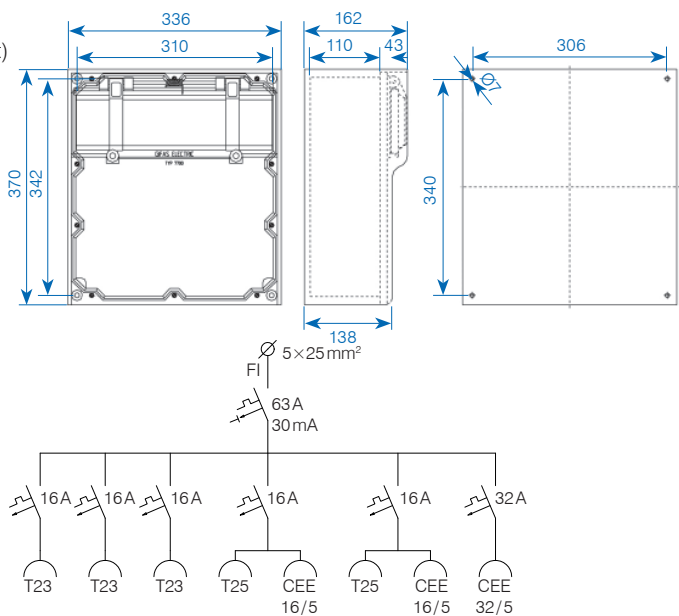
## Type 7700 – 370×336×162 mm, IP44

Screwed cable glands 2×M40 (other dimensions and positions on request)



✓ Item no. 228796

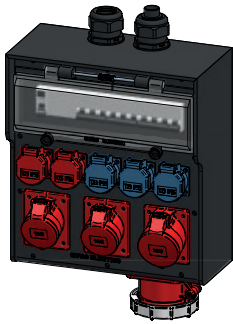
✓ Item no. 228797



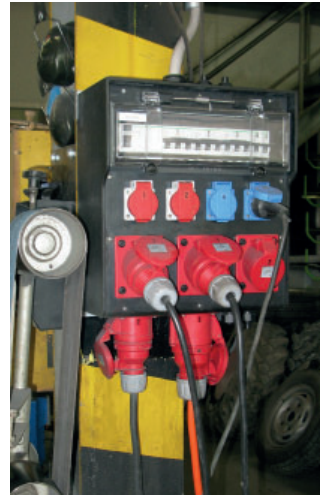
✓ From stock, offer subject to prior sale



# Wall-mounted hard rubber distribution box 7700

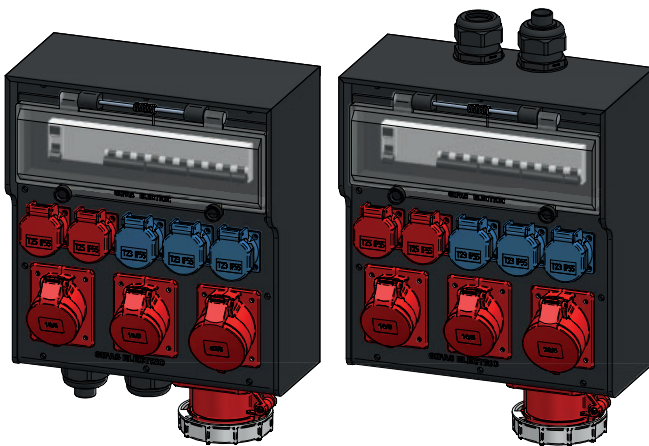


The types shown are examples only.  
We would be delighted to create a solution according to your specific assembly requirements.



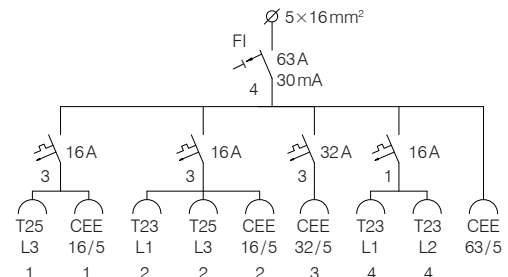
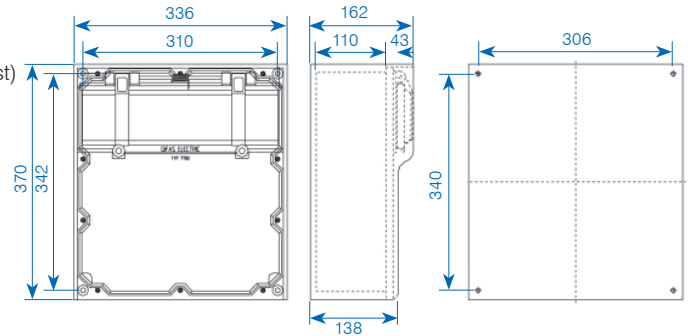
## Type 7700 – (370×336×162mm), IP44

Screwed cable glands 2×M40 (other dimensions and positions on request)



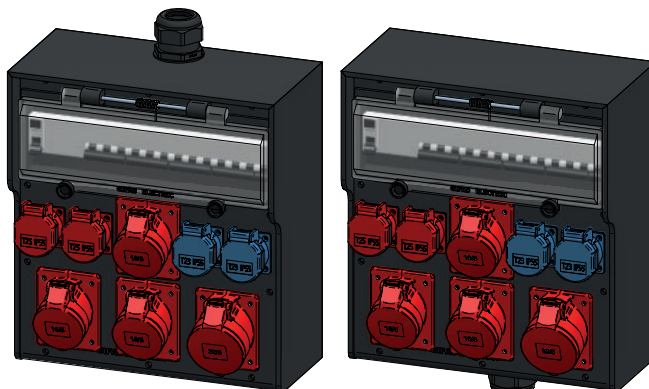
✓ Item no. 228798

✓ Item no. 228799



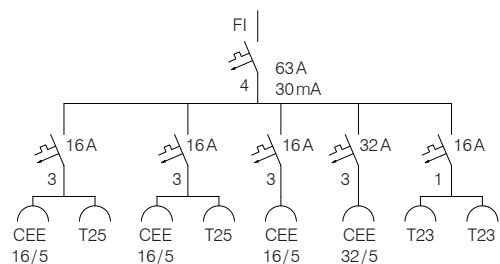
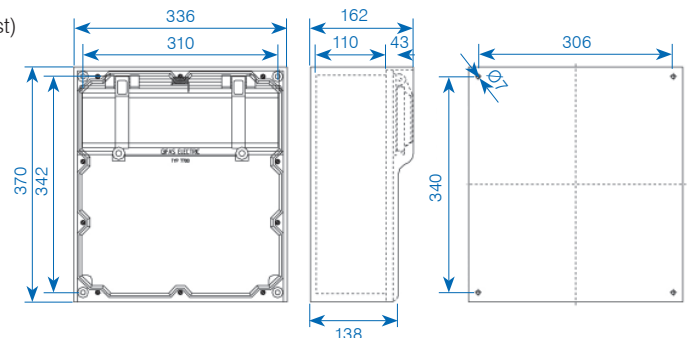
## Type 7700 – (370×336×162mm), IP44

Screwed cable glands 1×M40 (other dimensions and positions on request)

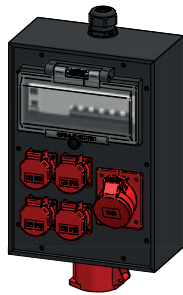


✓ Item no. 228800

✓ Item no. 228801



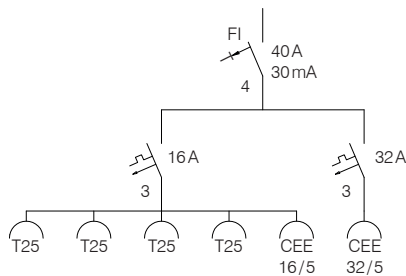
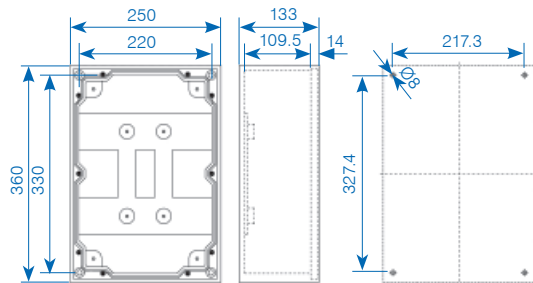
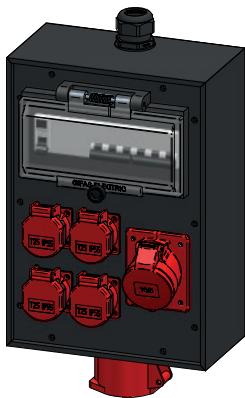
✓ From stock, offer subject to prior sale



The types shown are examples only.  
We would be delighted to create a solution according to your specific assembly requirements.

## Type 3800 – (360×250×133 mm), IP44

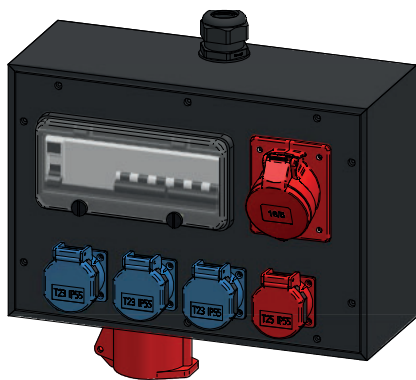
Screwed cable gland M32 (other dimensions and positions on request)



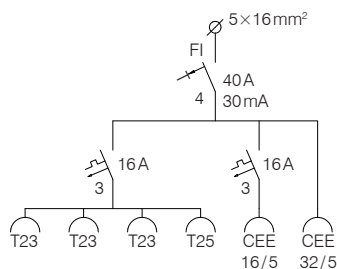
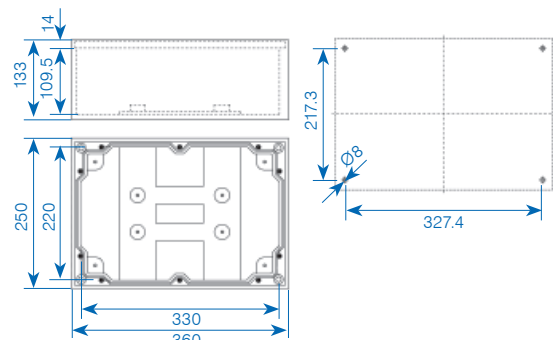
✓ Item no. 228802

## Type 3800 – (250×360×133 mm), IP44

Screwed cable gland M32 (other dimensions and positions on request)



Item no. 228803



✓ From stock, offer subject to prior sale

# Hard rubber installation distribution box 3900

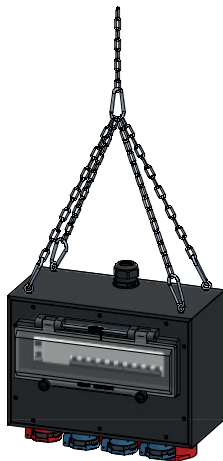


The types shown are examples only.  
We would be delighted to create a solution according to your specific assembly requirements.

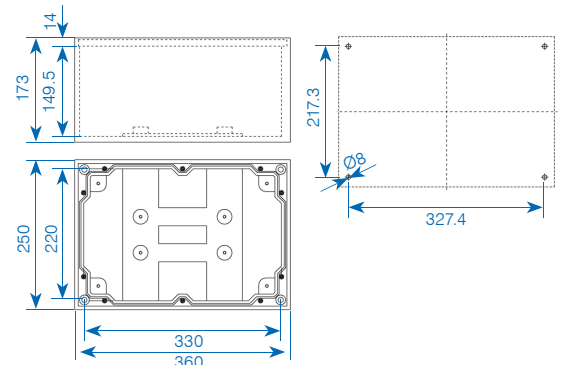
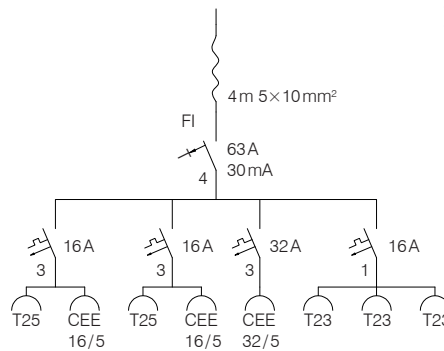


## Type 3900 – 250×360×173 mm, IP44

Screwed cable gland M32 (other dimensions and positions on request)

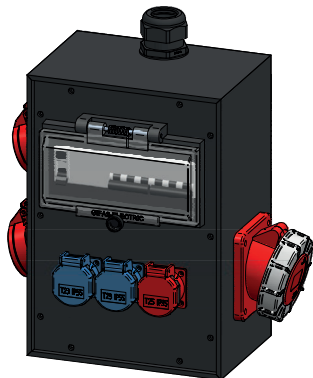


Item no. 228804

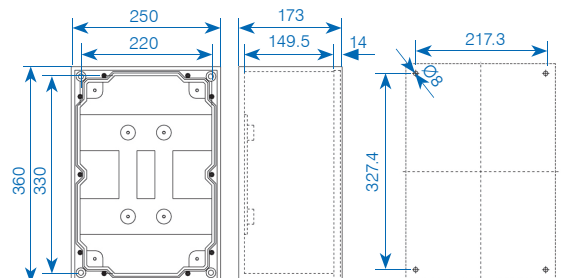
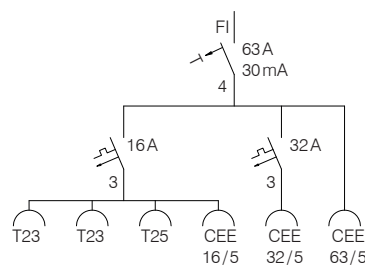


## Type 3900 – (250×360×173 mm), IP44

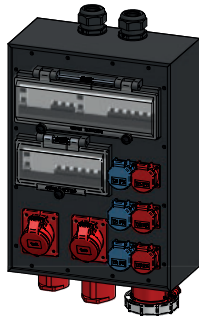
Screwed cable gland M40 (other dimensions and positions on request)



✓ Item no. 228806



✓ From stock, offer subject to prior sale



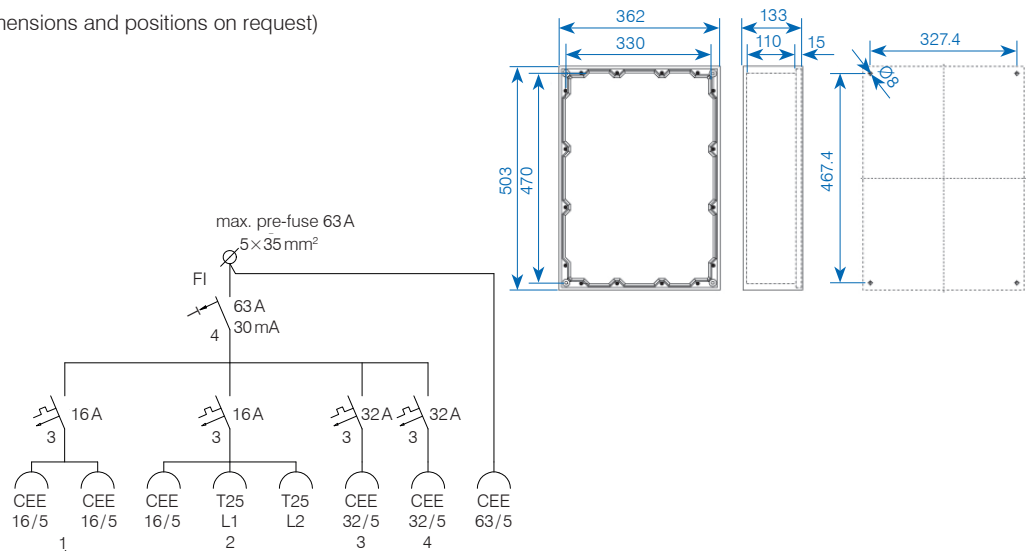
The types shown are examples only.  
We would be delighted to create a solution according to your specific assembly requirements.

## Type 7800 – 503×362×133 mm, IP44

Screwed cable gland M40 (other dimensions and positions on request)

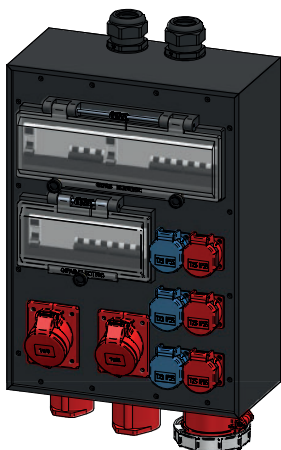


✓ Item no. 228807

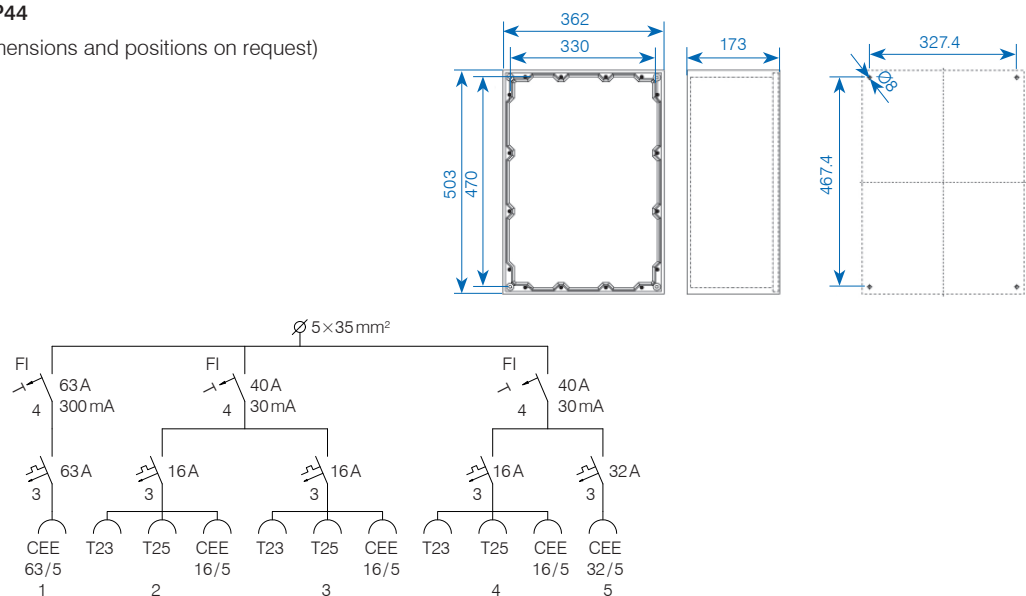


## Type 7900 – 503×362×173 mm, IP44

Screwed cable gland M40 (other dimensions and positions on request)

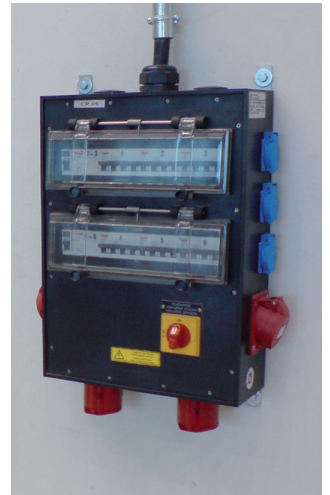


✓ Item no. 228808



✓ From stock, offer subject to prior sale

# Hard rubber installation distribution box 7900



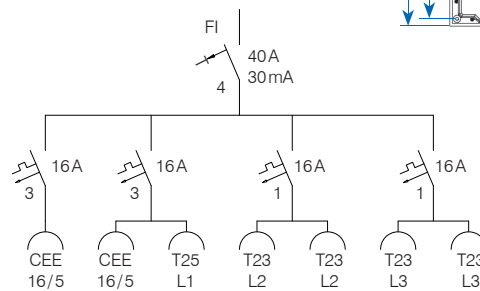
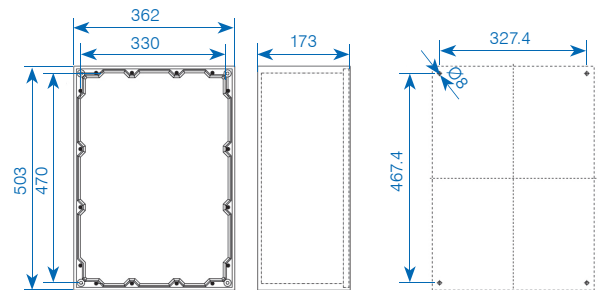
The types shown are examples only.  
We would be delighted to create a solution according to your specific assembly requirements.

## Type 7900 – (503×362×173 mm), IP54

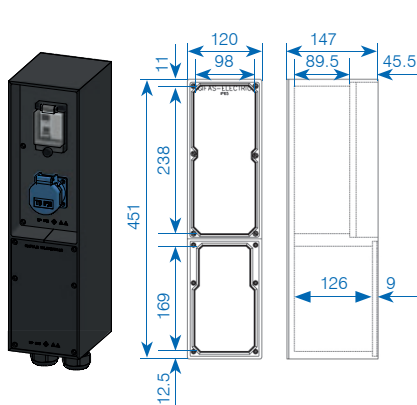
Screwed cable gland M50 (other dimensions and positions on request)



Item no. 228809



## Type 4512



Item no.	Symbol output	Output	Input	Line protection / Personal protection
<b>Type 4512 – 451×120×147 mm, IP65</b>				
040134		1×CEE 16/5 1×Ø 3×2.5 (light)	1×SCG M20 1×SCG M32	1×LP 13A. 1PC 1×LP 16A. 3PC 1×RCCB 40/30mA
<b>Typ 4512 – 451×120×147 mm, IP55</b>				
228810		1×T13	2×KV M32	1×FI/LP 10/30mA
<b>Typ 4512 – 451×120×147 mm, IP65</b>				
032456		1×CEE 16/5	1×KV M32	3×LP 16A. 1PC

SCG = screwed cable gland / LP = line protection / RCCB = residual current operated circuit-breakers

In daily use, e.g. along major roads, these distribution boxes prove their worth under continually changing environmental conditions. The hard rubber is resistant to chemical carbon dioxide bonds and is therefore especially well suited for assembly on roads or in tunnels.

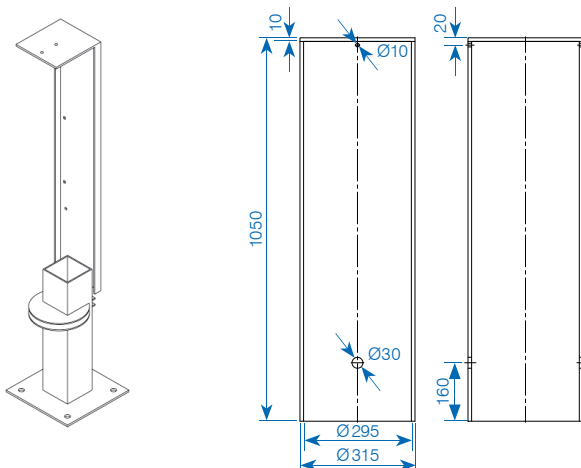
The plug sockets and terminal outputs are used for maintenance, traffic regulation measures or for signal lights (on the motorway for carriageway changeovers, for example).

Other executions are available on request.

## Accessories for type 4512



Item no.	Designation
✓ 043283	Special supports (zinc-plated steel)
035198	Concrete base, pre-fabricated as a shaft top section, inner tube Ø300mm
✓ 027444	Covering cap PE 1050×Ø315, inner Ø296mm
✓ 040105	Covering cap PE 800×225, inner Ø210mm
✓ 044552	Filter mat, white, Ø302mm (as insect protection)
✓ 021826	Filter mat, white, Ø214mm (as insect protection)
✓ 030871	V4A strap set, L+R (wall mounting)
051653	Mounting plate V4A (wall /tube mounting)
052654	Shackle V4A for 53mm tube (fits mounting plate)
052656	Shackle V4A for 65mm tube (fits mounting plate)
✓ 054768	Mast fixing V4A for 60mm tube (two mast fixing are required per distribution box)
052426	Mast fixing V4A for 76mm tube (two mast fixing are required per distribution box)



✓ From stock, offer subject to prior sale

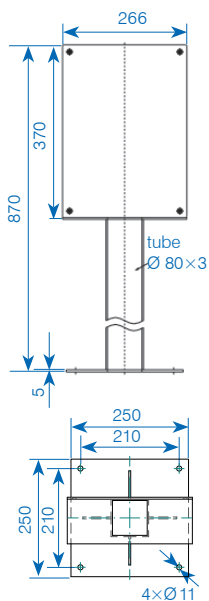
## Steel consoles, steel structures

Power columns in an open area, steel structures at exposed locations, wall, ceiling or floor adaptors also form part of our range. Here we use the perfect materials for the task at hand in each case:

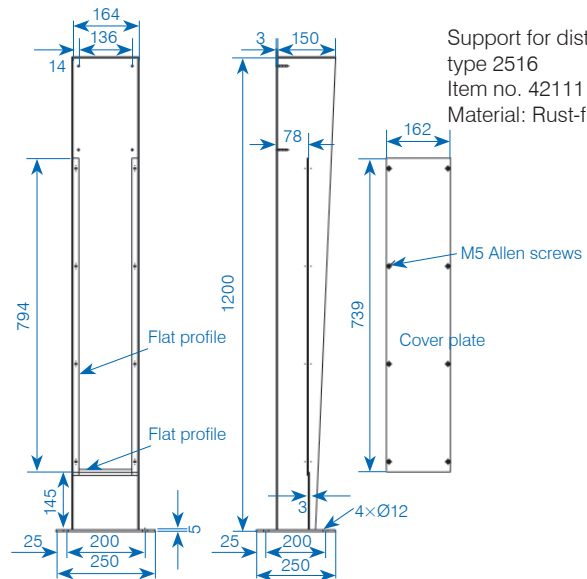
- steel constructions: zinc-plated or painted/powder-coated
- rust-free material in V2A or in V4A versions

The right solution to every problem. According to your needs and specifications we work with metal and steel engineers to develop the model you need.

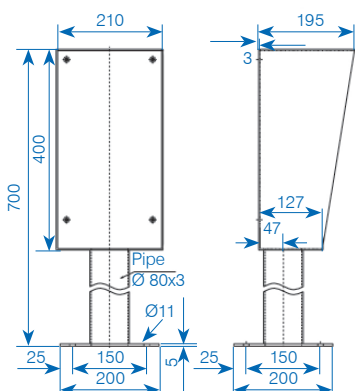
These examples show a small selection of a huge range of options, and are simply offered as an aid to you in your planning work. Allow us to advise you!



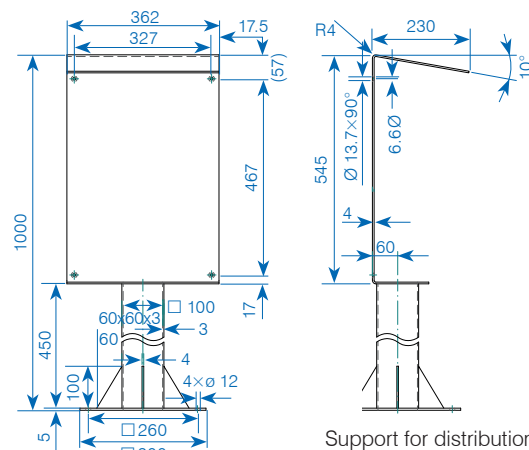
Support for distribution box type 7400  
Item no. 245216  
Material: St 37, hot-dip galvanised



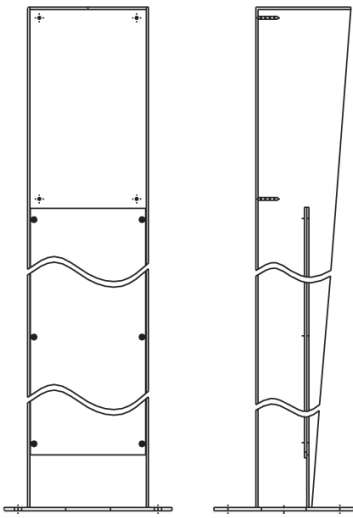
Support for distribution box type 2516  
Item no. 42111  
Material: Rust-free V2A



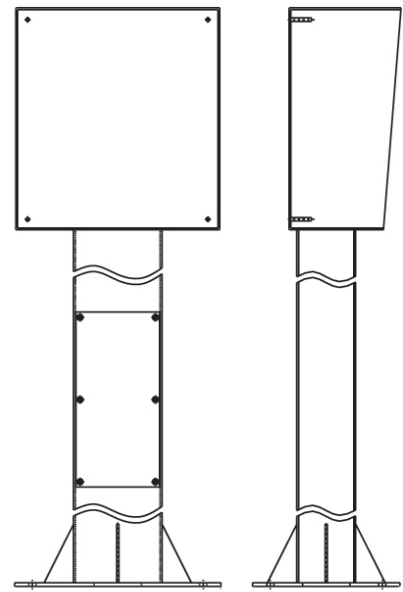
Support for distribution box type 7300  
Item no. 43577  
Material: V4A



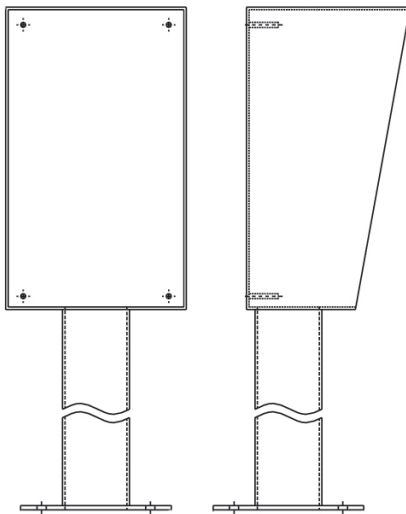
Support for distribution box type 7800  
Item no. 244432  
Material: St 37, hot-dip galvanised



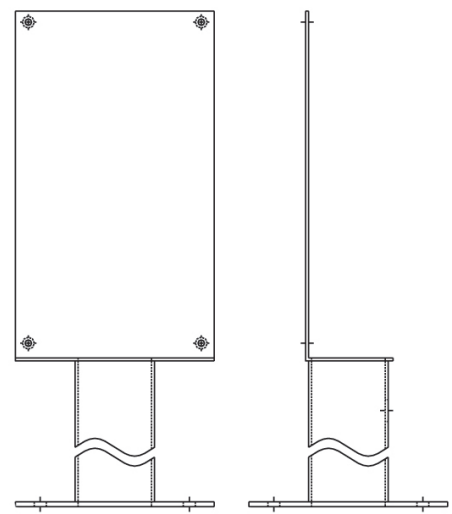
Type KA



Type DE



Type GE



Type OF

With steel supports or consoles in different designs, the on-site combinations can be installed as well as being protected against mechanical damage and the effects of the weather. The steel constructions are powder-coated, zinc-plated or manufactured from rust-free material in V2A or V4A. In collaboration with experienced technicians and metal engineers we develop the right design for you, tailored to fit the various hard rubber boxes.

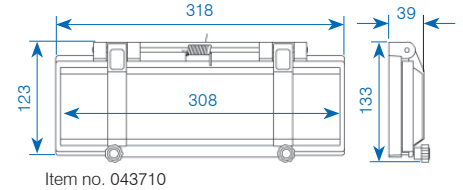
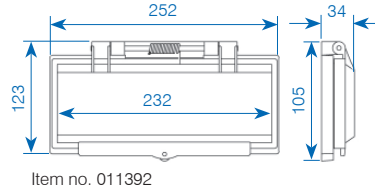
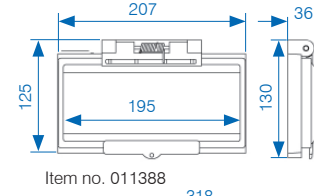
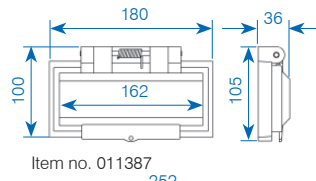
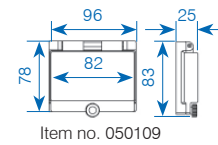
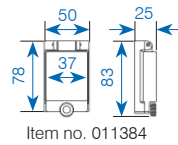
Example specifications:

Steel console type KA (GIFAS-Electric), V2A glass-blasted, to fit on-site combination type 7350, overall height 1'400mm.



# Accessories: Protective caps / fitting brackets

## Automated unit protective caps



A selection of various protective caps are available as loose components. These parts are normally fixed into the casing cover, but are also available for individual fitting. **The transparent folding covers are made from impact-resistant polycarbonate** and are fitted with seals in the lower section. A powerful torsion spring guarantees clean closing, which can be improved even further using an adjusting screw. This means that the interior components are protected against the penetration of dirt and damp. The width of the folding covers also ensures that they can be housed in modules (corresponds to a 1-pole LS with  $b=18\text{ mm}$ ). **Protection category without knurled screw IP54, with knurled screw IP65.**

Item no.	Designation
✓ 011384	Protective cap, 2-modules (37 mm)
✓ 050109	Protective cap, 4,5-modules (82 mm)
✓ 011387	Protective cap, 9-modules (162 mm)
✓ 011388	Protective cap, 10,5-modules (195 mm)
✓ 011392	Protective cap, 13-modules (232 mm)
✓ 043710	Protective cap, 17-modules (308 mm)
✓ 019522	Knurled screw, M4×20 mm

## Fitting brackets



At especially exposed installation sites (increased protection rating required) or in problematic installation conditions, it is advisable to use continuous fitting brackets:

- simplified installation thanks to generously proportioned fitting holes
- simple measurement of the fixing points required

Item no.	Designation
<b>aluminum bracket</b>	
✓ 029461	Aluminium bracket for type 7200/380×20×5 mm
✓ 029462	Aluminium bracket for type 7300/420×20×5 mm
✓ 029466	Aluminium bracket for type 7400/460×30×5 mm
✓ 049131	Aluminium bracket for type 7700/470×30×5 mm
✓ 050782	Aluminium bracket for type 7800/600×30×5 mm
<b>V4A/V2A bracket</b>	
✓ 041180	Rust-free V4A bracket for type 2812/310×15×3 mm
✓ 048746	Rust-free V2A bracket for type 7200/340×20×3 mm
✓ 046546	Rust-free V2A bracket for type 7300/410×20×3 mm
✓ 043431	Rust-free V2A bracket for type 7400/7700 460×20×3 mm
✓ 013253	Rust-free V2A bracket for type 7800/580×20×4 mm

✓ From stock, offer subject to prior sale

## RCD



RCD ABB



RCD Schneider Electric



RCD Doepke

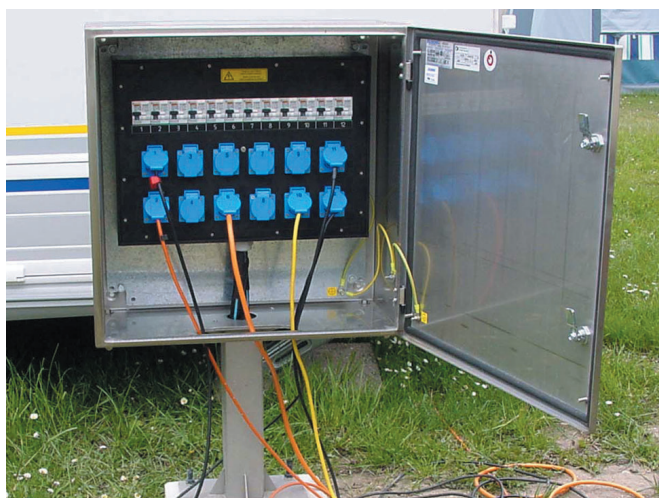
### Assortment ABB

Item no.	Designation
✓ 232228	RCD type A 3N-63A/300mA
✓ 232229	RCD type A 3N-63A/300mA selectively
214154	RCD type A 3N-125A/300mA
✓ 031044	RCD type B 3N-40A/30mA AC-DC sensitive, short time-delayed
✓ 165008	RCD type B 3N-63A/30mA AC-DC sensitive, short time-delayed
✓ 165450	RCD type B 3N-63A/300mA AC-DC sensitive
✓ 214155	RCD type B 3N-125A/300mA AC-DC sensitive



### Assortment Schneider Electric

Item no.	Designation
✓ 144943	RCD type A 3N-40A/30mA
✓ 144944	RCD type A 3N-63A/30mA
✓ 013747	RCD type A 3N-80A/30mA
✓ 039558	RCD type A 3N-63A/300mA
✓ 060043	RCD type A 3N-63A/300mA selectively
✓ 013751	RCD type A 3N-125A/300mA
128749	RCD type B 3N-40A/30mA AC-DC sensitive
104686	RCD type B 3N-63A/30mA AC-DC sensitive
✓ 128750	RCD type B 3N-63A/300mA AC-DC sensitive
✓ 115761	RCD type B 3N-125A/300mA AC-DC sensitive



### Assortment Doepke

Item no.	Designation
✓ 237393	RCD type B SK HD 63A/300mA 4L
✓ 237394	RCD type B SK HD 125A/300mA 4L

✓ From stock, offer subject to prior sale



A preferred field for GIFAS distribution boxes are sewage plants and waste combustion.

- outdoor installations in extreme conditions
- special designs (frequently modified for specific requirements) for consoles, supports and similar
- combinations of plug socket distribution for switches for installations and security
- open and/or closed versions
- use of special materials



GET IN TOUCH WITH US

News about the assortment and specific solutions can be found on our website:

[www.gifas.ch](http://www.gifas.ch)

We reserve the right to make technical modifications. V 0923



**GIFAS**  
ELECTRIC

GIFAS-ELECTRIC GmbH  
Dietrichstrasse 2  
CH-9424 Rheineck

+41 71 886 44 44  
+41 71 886 44 49  
info@gifas.ch  
www.gifas.ch